

Retaining magnets

disc-shaped, with female thread, with rubber jacket

SPECIFICATION

Steel part
zinc plated

Material of the magnet
NdFeB **ND**
Neodymium, iron, boron
temperature resistant up to 80 °C

Rubber jacket
Elastomer (TPE)
80 shore A ≈
black **SW**
white **WS**

INFORMATION

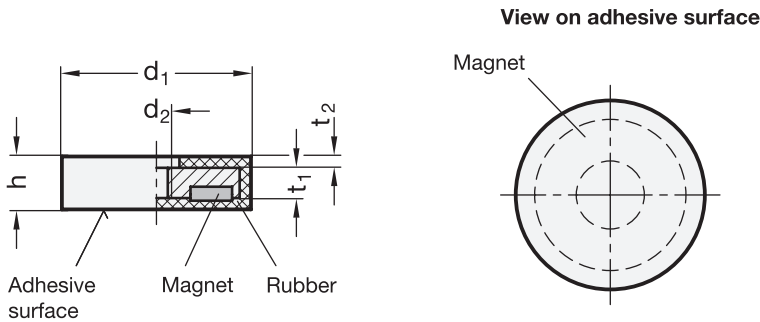
Retaining magnets GN 51.5 are a shielded magnetic system with rubber jacket.

The rubber jacket protects sensitive surfaces from being damaged by the magnet and also delivers a higher friction coefficient, resulting in high lateral adhesion forces.

- More information to retaining magnets (see page 2022)

TECHNICAL INFORMATION

- Elastomer characteristics (see page A32)



GN 51.5

Description	d1	d2	h	t1	t2	Nominal adhesive forces in N	⚖️
GN 51.5-ND-22-SW	22	M 4	6	4.5	0.8	35	9
GN 51.5-ND-22-WS	22	M 4	6	4.5	0.8	35	9
GN 51.5-ND-31-SW	31	M 5	6	4.5	0.8	75	21
GN 51.5-ND-31-WS	31	M 5	6	4.5	0.8	75	21
GN 51.5-ND-43-SW	43	M 4	5.5	4	0.8	85	29
GN 51.5-ND-43-WS	43	M 4	5.5	4	0.8	85	29
GN 51.5-ND-66-SW	66	M 6	8.5	6	1.8	180	100
GN 51.5-ND-66-WS	66	M 6	8.5	6	1.8	180	100
GN 51.5-ND-88-SW	88	M 6	8.5	6	1.8	420	186
GN 51.5-ND-88-WS	88	M 6	8.5	6	1.8	420	186

